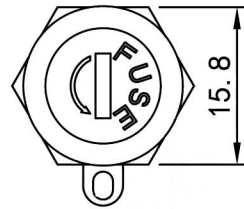
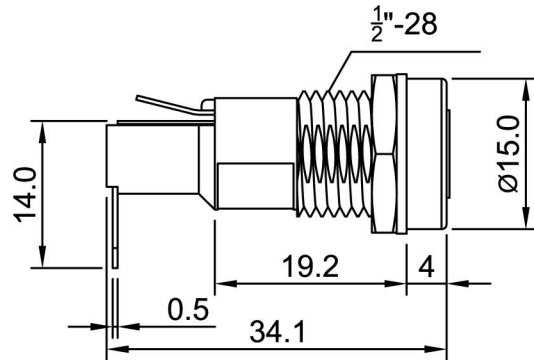
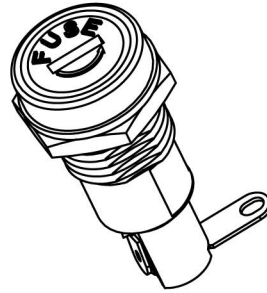
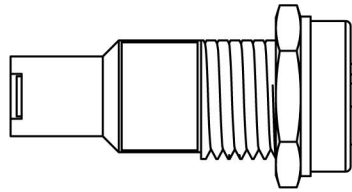


FH10-11



Fuse holder for overload protection
Screw-in mounting

Rating: 10A 250VAC (UL,CUL)

Fuse:Ø5.0x20mm

Cap:Bayonet type

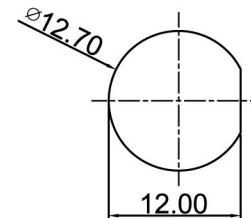
Panel thickness:4.5mm max

Operating Temperature:-10°C~+70°C

Welding method:Manual Soldering (350°C±5°C,3s±0.5s)



CUT-OUT



MATERIAL:

Housing:PBT,UL rated 94V0

Bayonet:PBT,UL rated 94V0

Terminal:Brass,silver plated

Nut:Zn Alloy,Ni plated

FH10-11-MW
01.029.0044